

BIO-FIGHTER® VERSALIGHT

Features

- Remote-mount chassis design
- Limited lifetime warranty
- Custom High Output lamps
- Multi-voltage electronic ballast
- 6-ft lamp cables
- Dual lamp option
- Stainless Steel Construction
- Quick-release lamp retention system
- ETL safety agency listing to UL 1598



Versatility is the word that best describes the Bio-Fighter® VersaLight. HVAC applications where germicidal UV light is needed exist in a wide variety of mechanical and electrical parameters. The VersaLight provides the installing contractor with a patent pending, remote-mounted lamp capability that allows placement of one, or two, of the HO lamps anywhere within 6 feet of the VersaLight's chassis. This remote feature, coupled with the VersaLight's multi-input voltage power supply that can handle 120V to 240V, makes the VersaLight the "One size fits All" UV-C fixture in your UV product line.



Single or dual remote-mount capability allows flexibility in unit location and application.



Smart ballast technology senses input voltage and automatically adjusts for 120V to 240V power.



User friendly slide-clip lamp retention system makes bulb replacement easier.



Moisture boot seals lamp connections against moisture in high humidity environments.



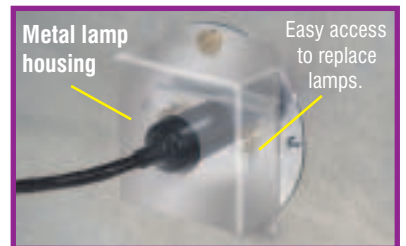
Custom designed HO lamps offer greater durability while emitting higher levels of disinfecting UV-C light.



Lighted On/Off switch and external fuse are conveniently located.

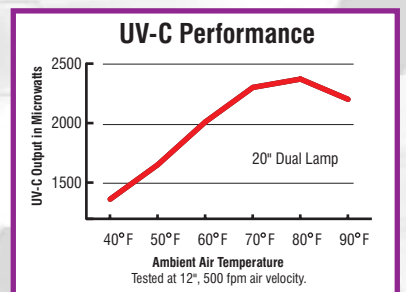


Remote mount cords are 6 feet long!



Metal lamp housing

Easy access to replace lamps.



DUST FREE®
Breathe The Difference.

The Bio-Fighter® VersaLight assists in preventing the growth of micro-organism contaminants in the HVAC system. To ensure maximum effectiveness, install and maintain the Bio-Fighter® in accordance with installation and maintenance instructions.

Dimensions: See Fig.1

Electrical:

The VersaLight uses a multi-input voltage electronic ballast able to operate within a range of 120 to 240 volts. The unit uses a detachable 6 foot power cord.

Power Ratings: 120V - 240V, 50/60 Hz.

Full Load Amps: 120V - .90 Amps. 240V - .50 Amps.

Temperature:

45°F - 150°F (Outside of duct).

UV-C Output ($\mu\text{w}/\text{cm}^2$):

530-1650 depending on model. Tested at 50 F, 12", 500FPM air velocity.

Lamp:

9000 hour lamp life. Ozone-producing lamps available as an option.

Listings:

ETL Safety Agency - File # 2002554

FIFRA - File #73316

(Federal Insecticide Fungicide Rodenticide Act)

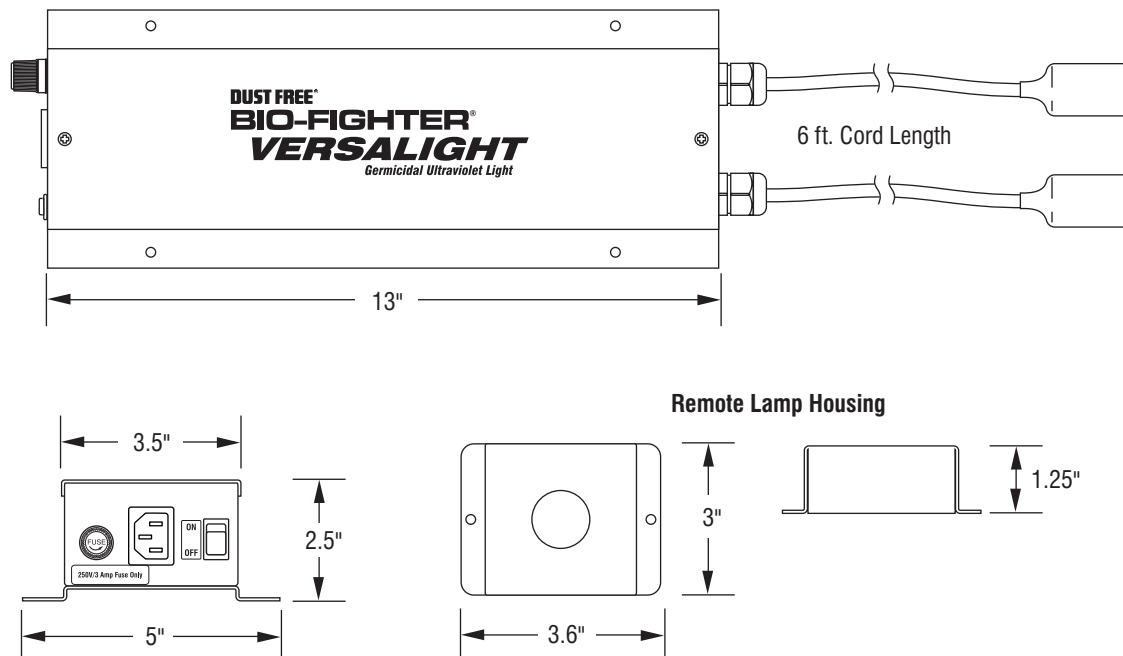
Installation

The Bio-Fighter® VersaLight remote-mount UV-C lamp system can be mounted anywhere in the HVAC system or ductwork. The preferred installation location is near the cooling coil where mold infestation is most likely.

Sizing

The single lamp Bio-Fighter® VersaLight is suitable for slab coil applications 3 tons or less, and 1200 CFM or less. Or where space permits only a single lamp. The dual lamp Bio-Fighter® VersaLight is suitable for slab coil, A-coil, and return air applications, where space permits dual lamps. For optimum results and maximum UV-C output, dual lamp units are recommended for A-coil and return air applications.

Fig. 1 Dimensions of single and dual lamp VersaLights.



PO Box 519 • Royse City, TX 75189

1-800-441-1107

[Http://www.dustfree.com](http://www.dustfree.com)