



Fantech

Your Ventilation Solutions Company

HEPA DM 3000P Air Filtration System

**IMPORTANT - PLEASE READ THIS MANUAL
BEFORE INSTALLING UNIT**



CAUTION - Before installation, careful consideration must be given to how this system will operate if connected to any other piece of mechanical equipment, i.e. a forced air furnace or air handler, operating at a higher static pressure.



Your Fantech HEPA Filtration system should be installed in conformance with the appropriate local, provincial or state requirements or in the absence of such requirements with the current edition of the National Building Code, and / or ASHRAE's " Good Engineering Practices".

HEPA Filtration

INSTALLATION, OPERATION AND MAINTENANCE MANUAL

TABLE OF CONTENTS

WARRANTY	
SPECIFICATION.....	3
INSTALLATION	4
SERVICE.....	9
TROUBLESHOOTING.....	10

WARRANTY

The Best Limited Warranty in the Business

- The maintenance free motors are permanently lubricated and are guaranteed for 7 years. They are factory balanced to prevent vibrations and promote silent operation.
- All other components have a 5 year limited warranty. (filters not included)
- The limited warranty covers normal use. It does not apply to any defects, malfunctions or failures as a result of improper installation, abuse, mishandling or misapplication, fortuitous occurrence or any other circumstances outside manufacturer's control.
- The warranty is in effect for 5 years on parts and 7 years on the motor after the date of purchase, including parts replaced during this time period. If there is no proof of purchase available, the date associated with the serial number will be used for the beginning of the warranty period. Parts are a 1 year warranty when replaced after the initial warranty has expired.
- This warranty is the exclusive and only warranty in effect and all other warranties either expressed or implied are invalid.
- Warranty from the manufacturer is for parts only and does not include labor or shipping to service or repair them.

INTRODUCTION

HEPA AIR FILTRATION SYSTEMS

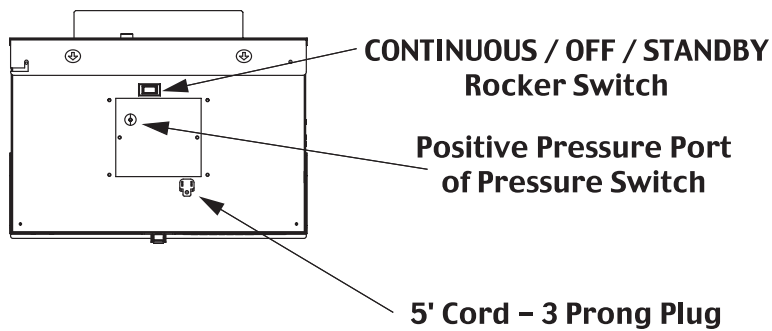
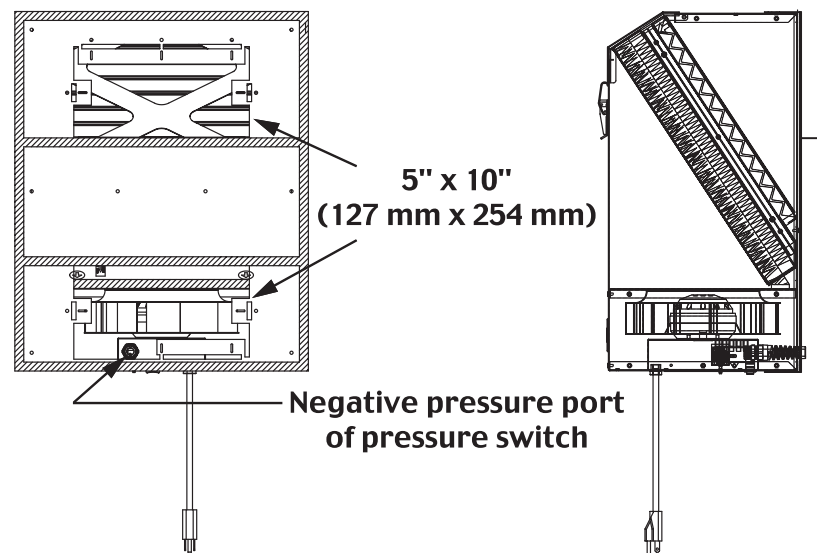
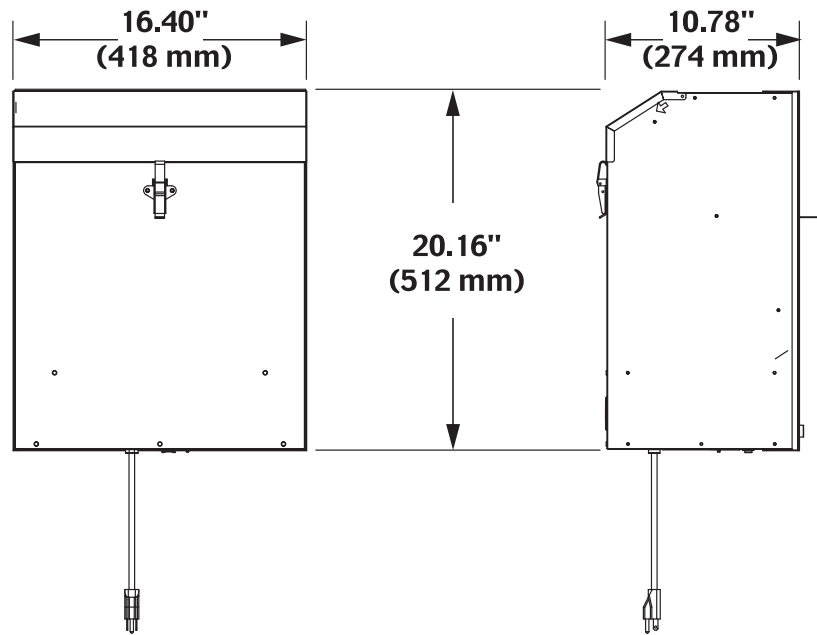
Congratulations! You have purchased a very effective air cleaning and treatment system incorporating HEPA (High Efficiency Particulate Arrestance) filter technology. This is the type of air cleaning equipment that respiratory specialists recommend most.

To optimize the performance of your HEPA Filtration System, it should be installed by a professional contractor who is familiar with your indoor air quality situation and the operation of other heating, ventilation and air conditioning equipment that you may have.

SPECIFICATION

Model DM 3000P - Duct Mounted

Kit (Included): - installation manual



OPERATION

Your Fantech HEPA filtration system incorporates three stages of filtration. Air is drawn from the house via one of the installation examples, found in this manual, by a powerful efficient EBM fan. The air is cleaned as it passes through the filters, where it is then reintroduced back into the home, cleaned of the majority of harmful particles.

The DM3000P includes a differential pressure switch. When rocker switch is set to "STANDBY" the DM3000P will remain OFF until the pressure switch detects airflow in the forced air system's duct. As airflow is detected, the DM3000P is turned ON. When the rocker switch is set to "CONTINUOUS" the DM3000P will operate continuously irregardless of the forced air system's operation. Finally, when the rocker switch is set to "OFF" all power to the DM3000P is disengaged.

Note: A semi-annual service schedule must be followed to ensure the HEPA unit is operating at its full potential.

INSTALLATION

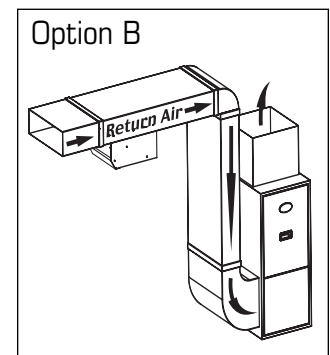
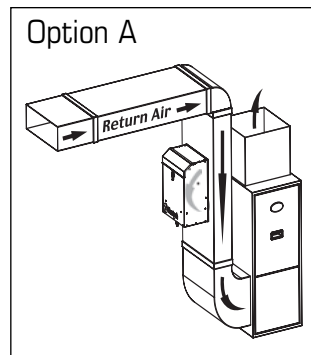
* Diagrams are examples only. Actual installation may vary.

DM 3000P - Duct Mounted model

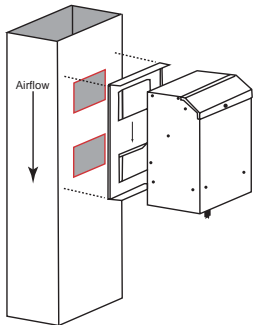
The return side of the furnace is the recommended location for the HEPA to connect to.

IMPORTANT NOTICE:

- 1) The DM3000P should not be installed on its side. Should only be installed like Option A & B.
- 2) Variable speed forced air systems or installation where the pressure difference between the return air and supply air ducts are less than 18 Pa (0.07 in wg) may not provide the required differential pressure to activate the DM3000P when set on "STANDBY". The only remedy is to set the DM3000P on "CONTINUOUS" mode.



DM 3000P - (installation instructions)

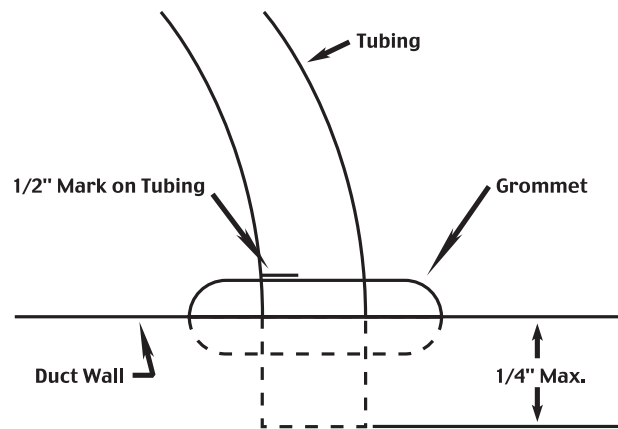


1. Using mounting plate, mark holes on furnace return duct to be cut.
2. Cut holes in desired location and attach mounting plate to duct with screws.
3. Make sure the negative static pressure tube from the pressure switch is inserted into the return air duct properly. The end of the tube should be clear of any insulation or other obstacles.

4. Attach HEPA unit to mounting plate with screws.

5. Installing Grommet and Tubing

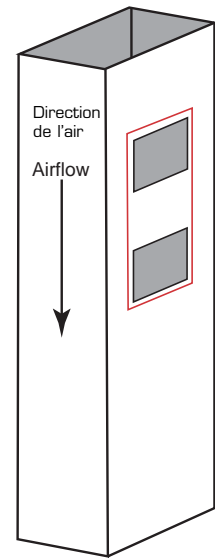
- First drill a 1/4" to 5/16" diameter hole in the duct wall on the supply air side of the furnace duct. Carefully insert the grommet into the hole. (Drilling a metal duct may produce burrs. Be careful not to cut or pricked by the burrs or the duct.) Make a mark a distance of 1/2" from one end of the tubing. Slide this end of the tubing through the center of the grommet up to the mark as illustrated.



6. Connect the other end of tube you connected to the supply air duct to the positive port of the pressure switch located on the electrical panel and marked "Pressure Switch"
7. Open the access door of the DM3000P and remove the carbon filter and the HEPA filter that are sealed in a plastic bag. Remove the plastic bag and dispose of them appropriately. Insert the HEPA filter carefully then insert the carbon filter. Close and latch the access door.
8. Switch rocker switch to "STANDBY" or "CONTINUOUS".

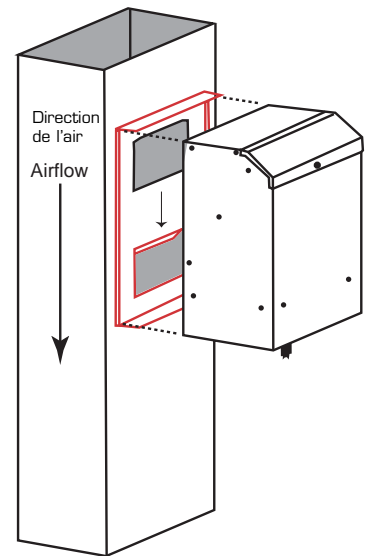
CUT AROUND DOTTED LINE

COUPER AUTOUR LIGNE POINTILLÉE



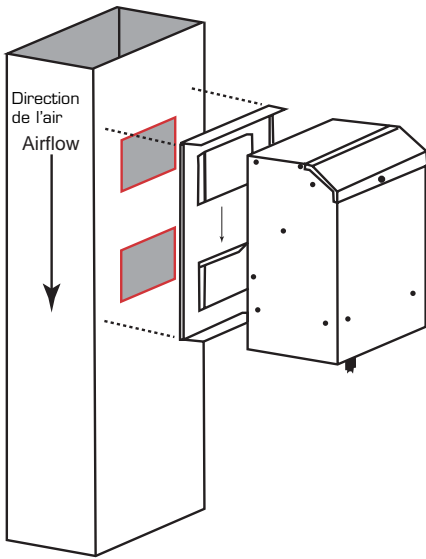
1. Using enclosed template, draw holes on duct.

1. Utiliser le gabarit pour localiser les trous à percer dans le conduit.



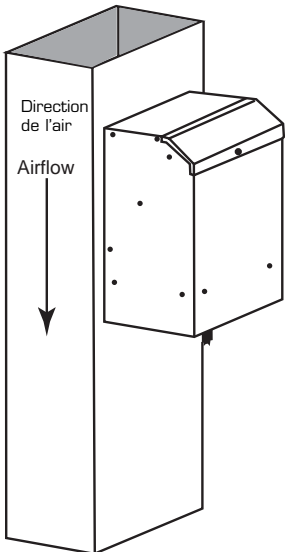
3. Screw mounting plate to duct.

3. Visser la plaque de distribution au conduit en repliant les bords affaiblis de façon à faire un "sandwich" avec le conduit.



2. Cut holes in duct.

2. Découper les trous.



4. Attach unit to mounting plate with screws.

4. Attacher l'unité à la plaque en prenant soin de la glisser dans les fentes conçues à cet effet.

CUT AROUND DOTTED LINE
COUPER AUTOUR LIGNE POINTILLÉE

SERVICE

The useful service life of the filter media in the HEPA Filtration System is directly related to the volume of air passed through the system and the amount of contaminants in the air. In a typical residential application, Stage 1 and 2, filters should be replaced every three to six months or when needed. The Stage 3 HEPA filter should have a life span of two to five years, again, depending on the amount of particulate in the air and the maintenance of the Stage 1 pre-filter.

As an added service, Fantech offers an online filter replacement reminder service. Just go to www.fantech.ca and for "Reminder Service" and follow the links. All you need to enter is your e-mail address, the product model and a description of the environment (Very Clean, Clean, Moderate). The Service will send an e-mail after the elapsed time period when it is time to replace your filters.

PARTS LIST

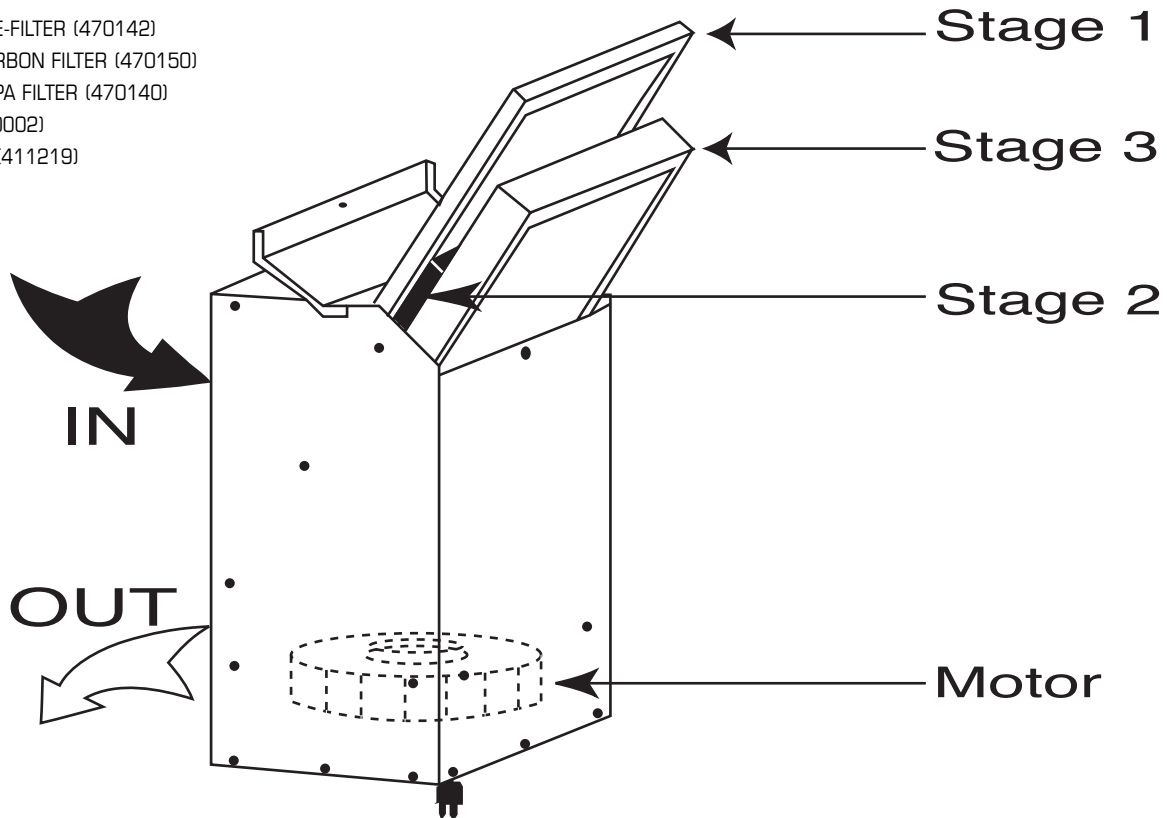
STAGE 1 - PRE-FILTER (470142)

STAGE 2 - CARBON FILTER (470150)

STAGE 3 - HEPA FILTER (470140)

MOTOR - (500002)

CAPACITOR - (411219)



Stage 1 - Prefilter: Air passes through the prefilter where larger particles are taken out of the air.

Stage 2 - Carbon: Air passes through the carbon filter where some gases and odors are removed.

Stage 3 - HEPA: Air passes through the certified HEPA media where very small particles are removed. 99.97% of all particles 0.3 microns and larger that pass through this stage are removed. Particles smaller than 0.3 microns are also removed with less intensity.

If the air flow through your unit is noticeably reduced, you can inspect the HEPA filter by removing it and seeing if the filter paper is darkened on the inlet or outer side. If it is, the filter cartridge should be replaced.

Please contact your local Fantech dealer or call HEPA Customer Service at 1.800.565.3548 regarding replacement of filter media, warranty information or if you have any questions or concerns about the performance of your HEPA Filtration System.

Troubleshooting

A) Problem: When the DM3000P is on "STANDBY" it does not come ON.

1) The pressure switch's positive pressure port is not connected.

Solution: Use the supplied tube and grommet and install one end of the tube to the supply (positive pressure) air duct and the other end of the tube to the pressure switch connection on electrical panel next to the power cord.

2) The pressure differential between the return (negative) air and the supply (positive) air of the forced air system is less than 18 Pa (0.07 in wg).

Solution: Check the static pressure difference by connecting the LOW pressure side of a manometer to the return air duct and the HIGH pressure side of the manometer to the supply air duct. If it reads less than 18 Pa (0.07 in wg), the pressure switch will not work. The only remedy is to set the rocker switch to "CONTINUOUS". Check this differential pressure on all available speeds of the forced air system.

B) Problem: When the DM3000P is on "STANDBY" it does not turn OFF.

1) Other exhaust equipment in the house may interfere with the operation of the DM3000P by creating pressure differences in the forced air system's duct work.

Solution: If this is a constant problem, disconnect the positive pressure tube from the DM3000P to the supply air duct. Check if the DM3000P turns ON when the forced air system is on and turns OFF when the forced air system is OFF.

Depending on the furnace and the duct design, the negative static pressure in the duct may not be more than 17Pa (0.07"WC). As such, the pressure switch will not activate the DM3000P while it is on "STANDBY" mode.



Fantech

United States

1712 Northgate Blvd.,
Sarasota, FL. 34234
Phone: 800.747.1762; 941.309.6000
Fax: 800.487.9915; 941.309.6099
www.fantech.net; info@fantech.net

Canada

50 Kanalfakt Way,
Bouctouche, NB E4S 3M5
Phone: 800.565.3548; 506.743.9500
Fax: 877.747.8116; 506.743.9600
www.fantech.ca; info@fantech.ca

Represented by:

Fantech, reserves the right to modify, at any time and without notice, any or all of its products' features, designs, components and specifications to maintain their technological leadership position.

Article #: 301085
Item #: 401451
Rev Date: 091304